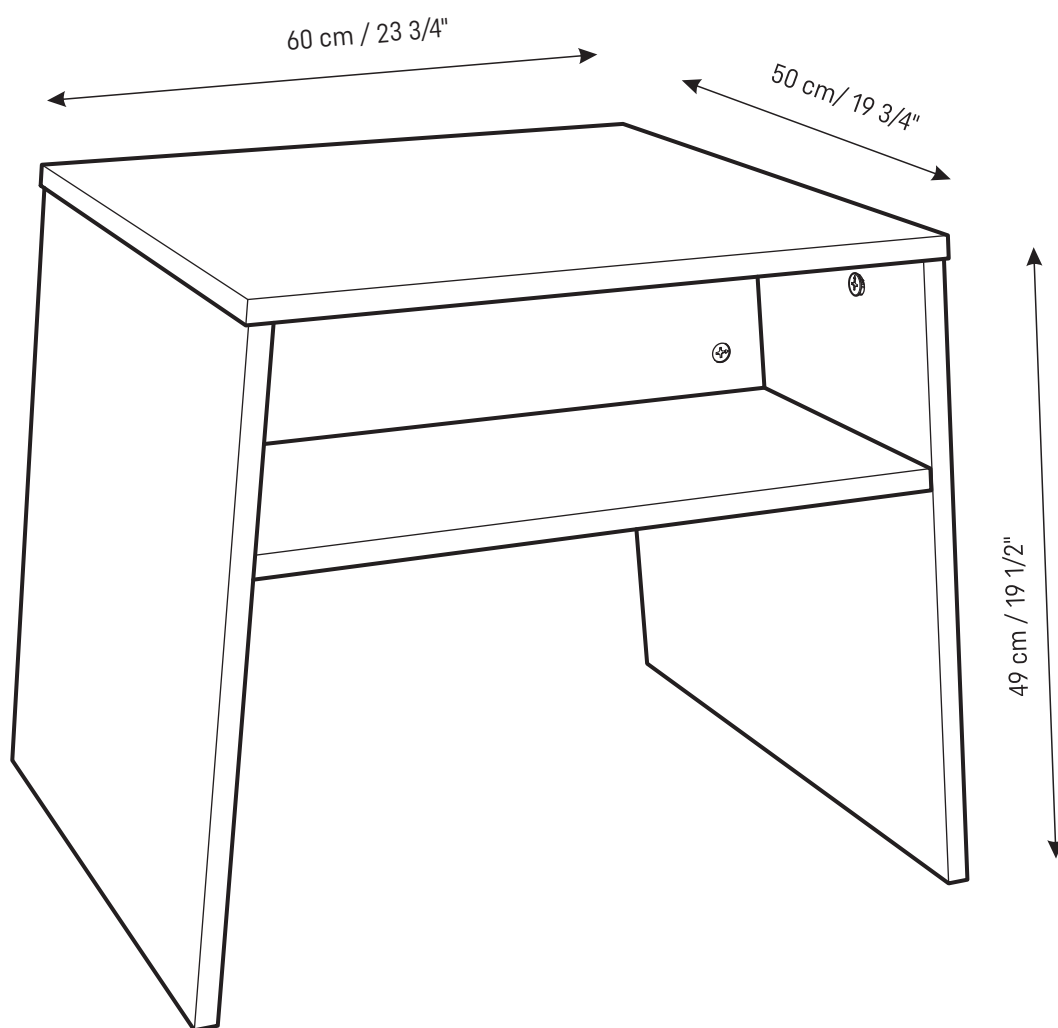
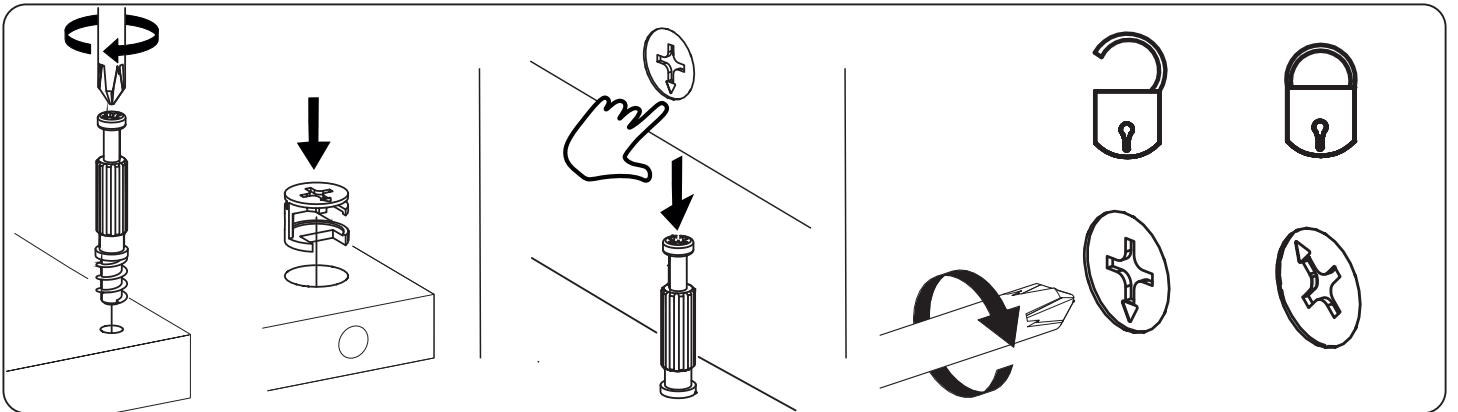
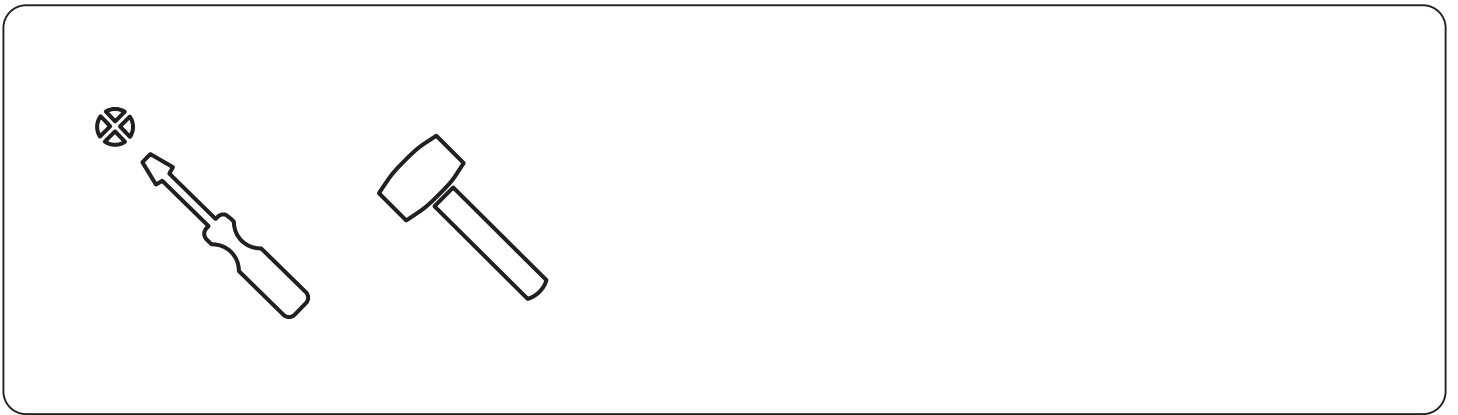
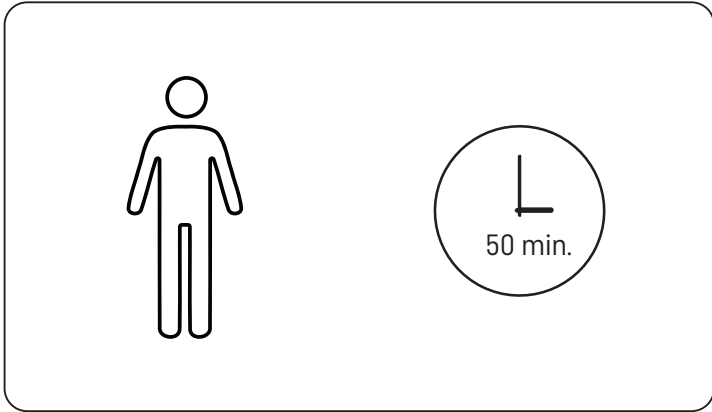
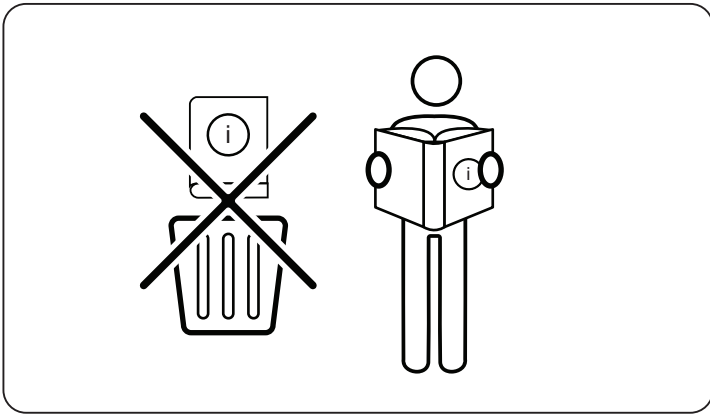
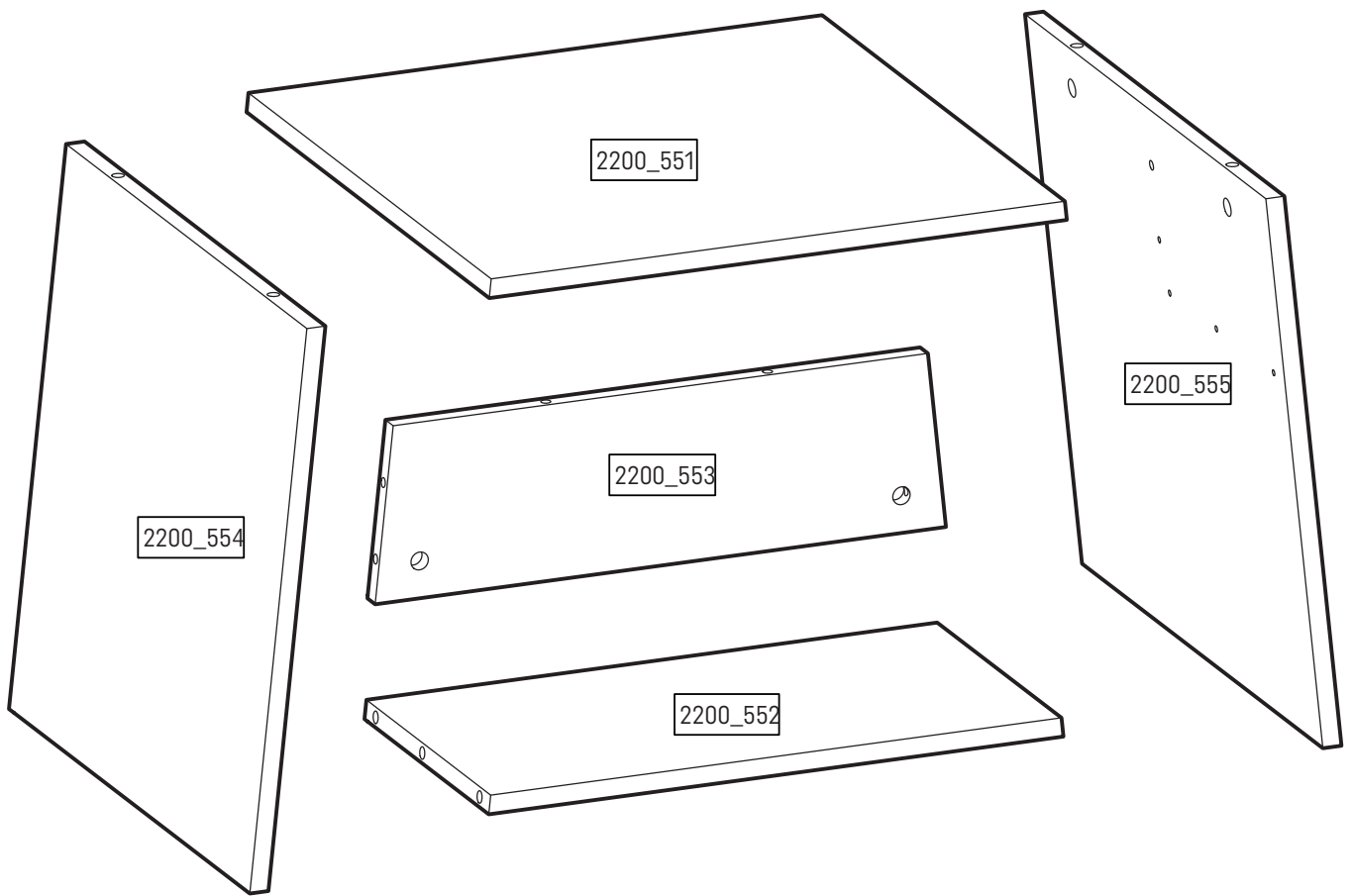
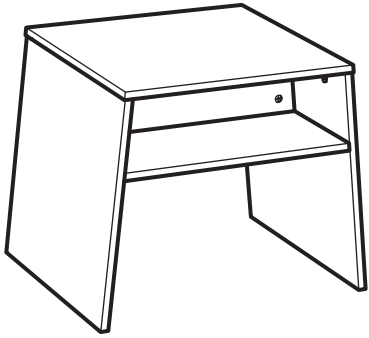



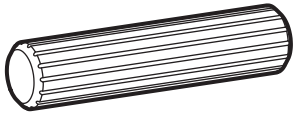
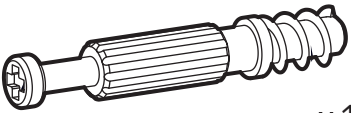

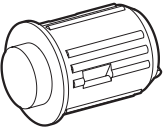
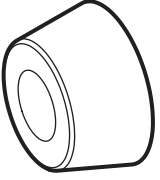
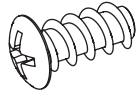
TULI

4016263_001

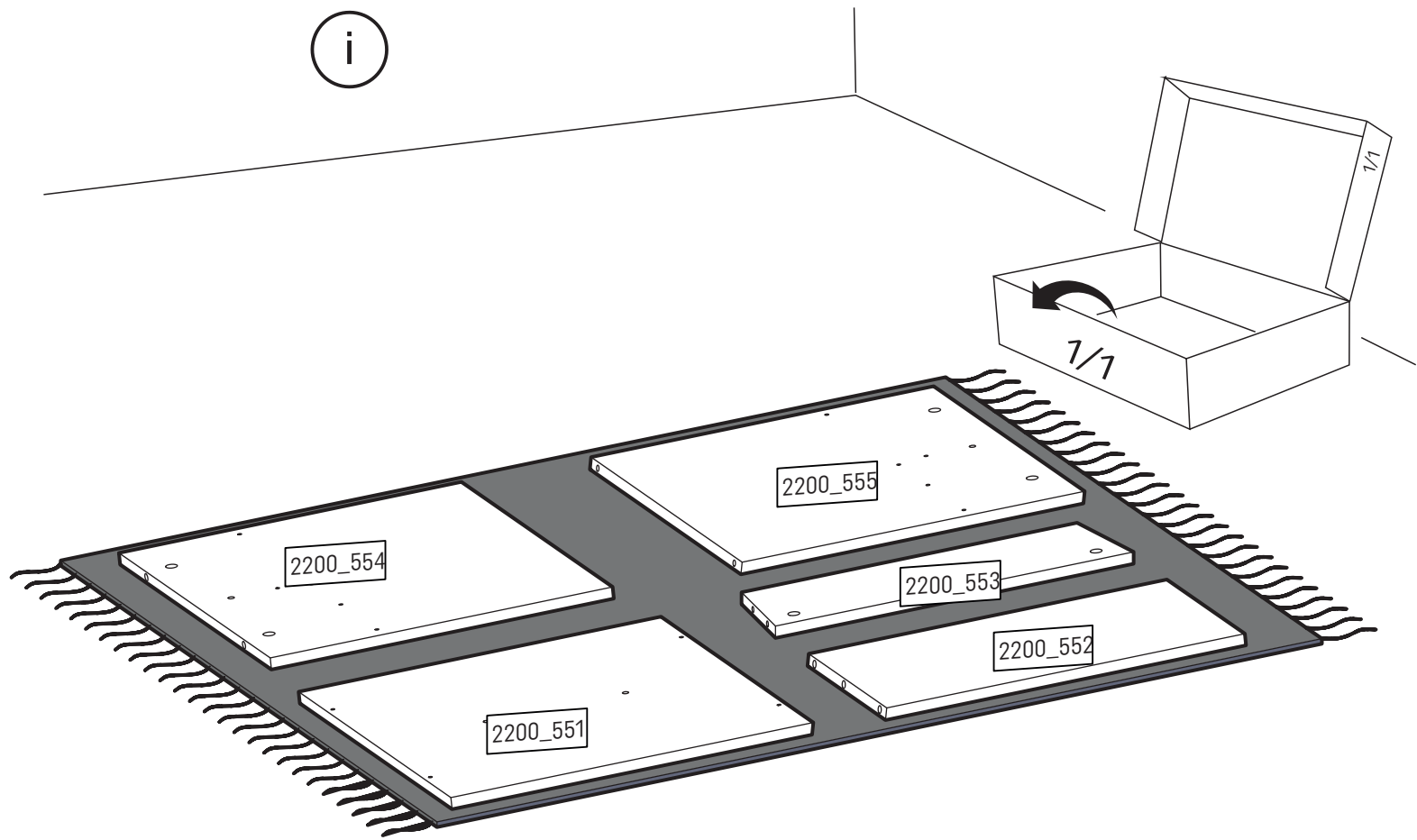




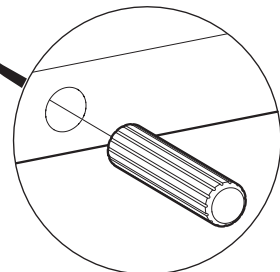
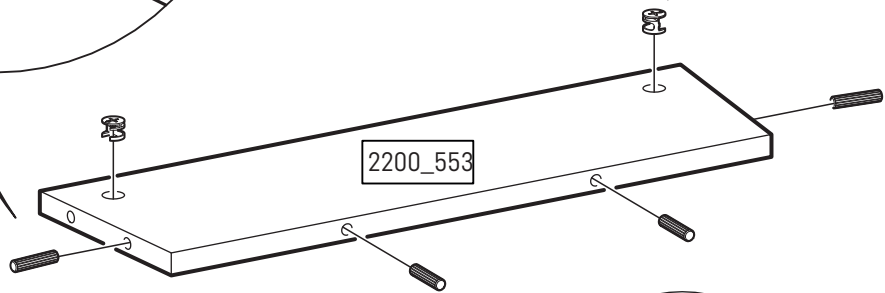
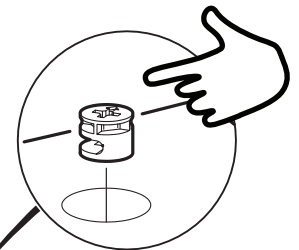
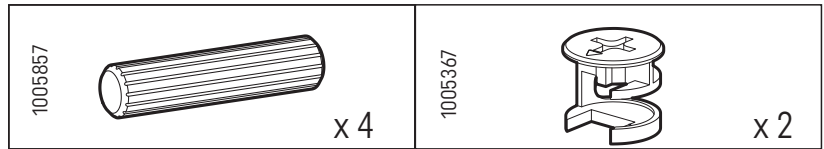
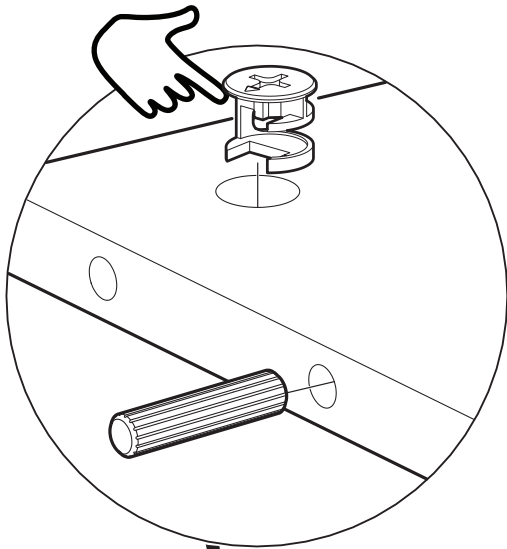


<p>1000806</p>  <p>x 1</p>	<p>1005857</p>  <p>x 4</p>	<p>1006091</p>  <p>x 10</p>
<p>1005367</p>  <p>x 10</p>	<p>1112268</p>  <p>x 4</p>	<p>1120069</p>  <p>x 2</p>
<p>1005878</p>  <p>x 2</p>		

i

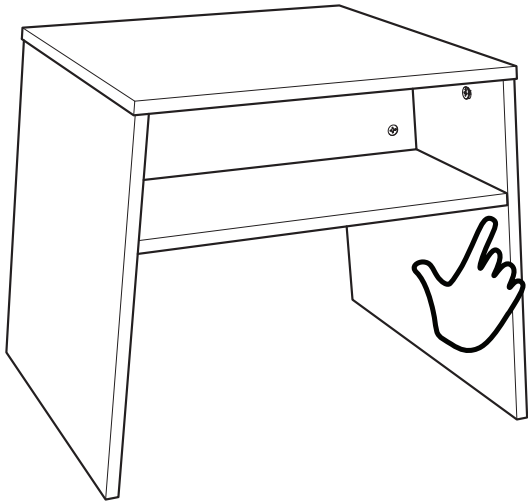


1



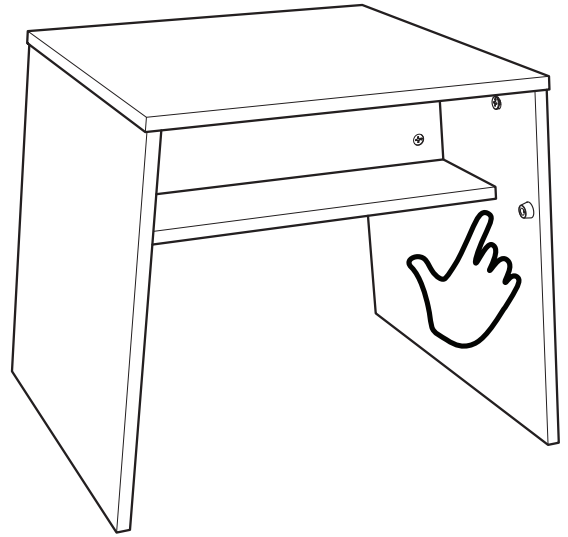
1

A

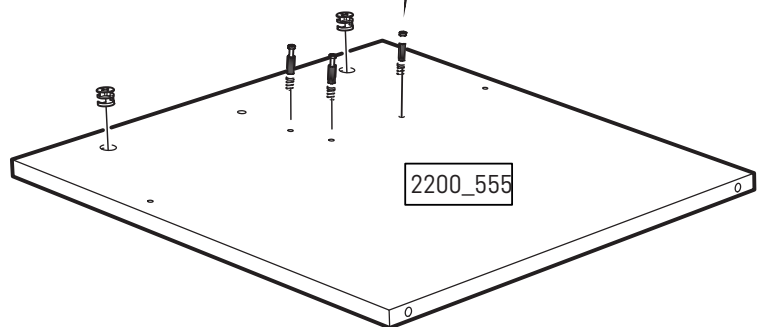
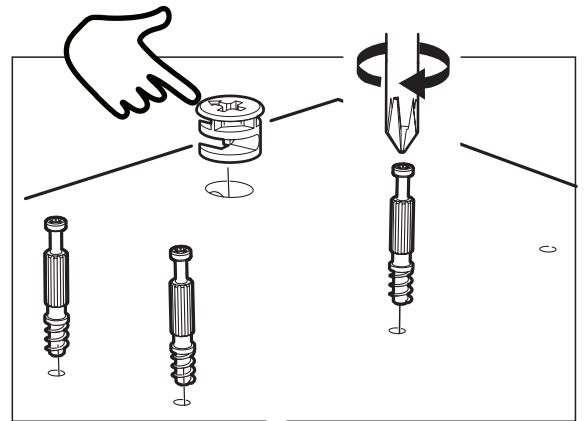
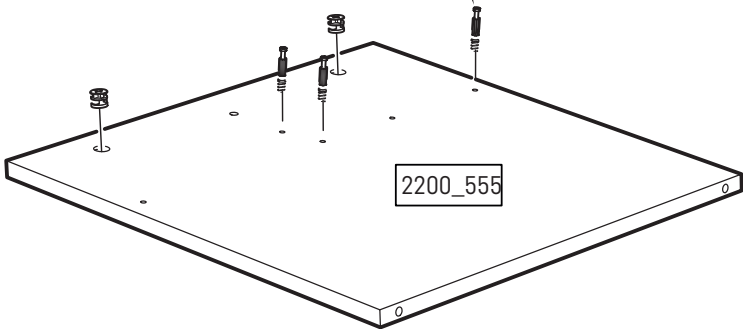
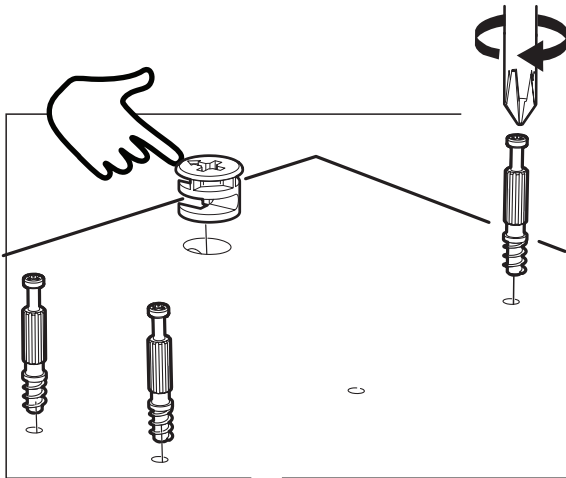
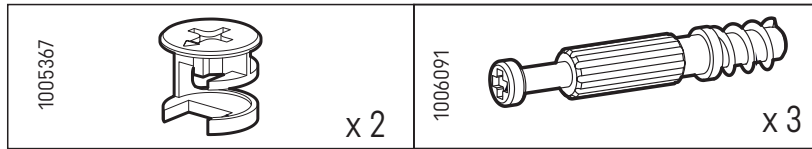


i

B

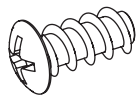

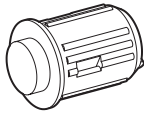


2



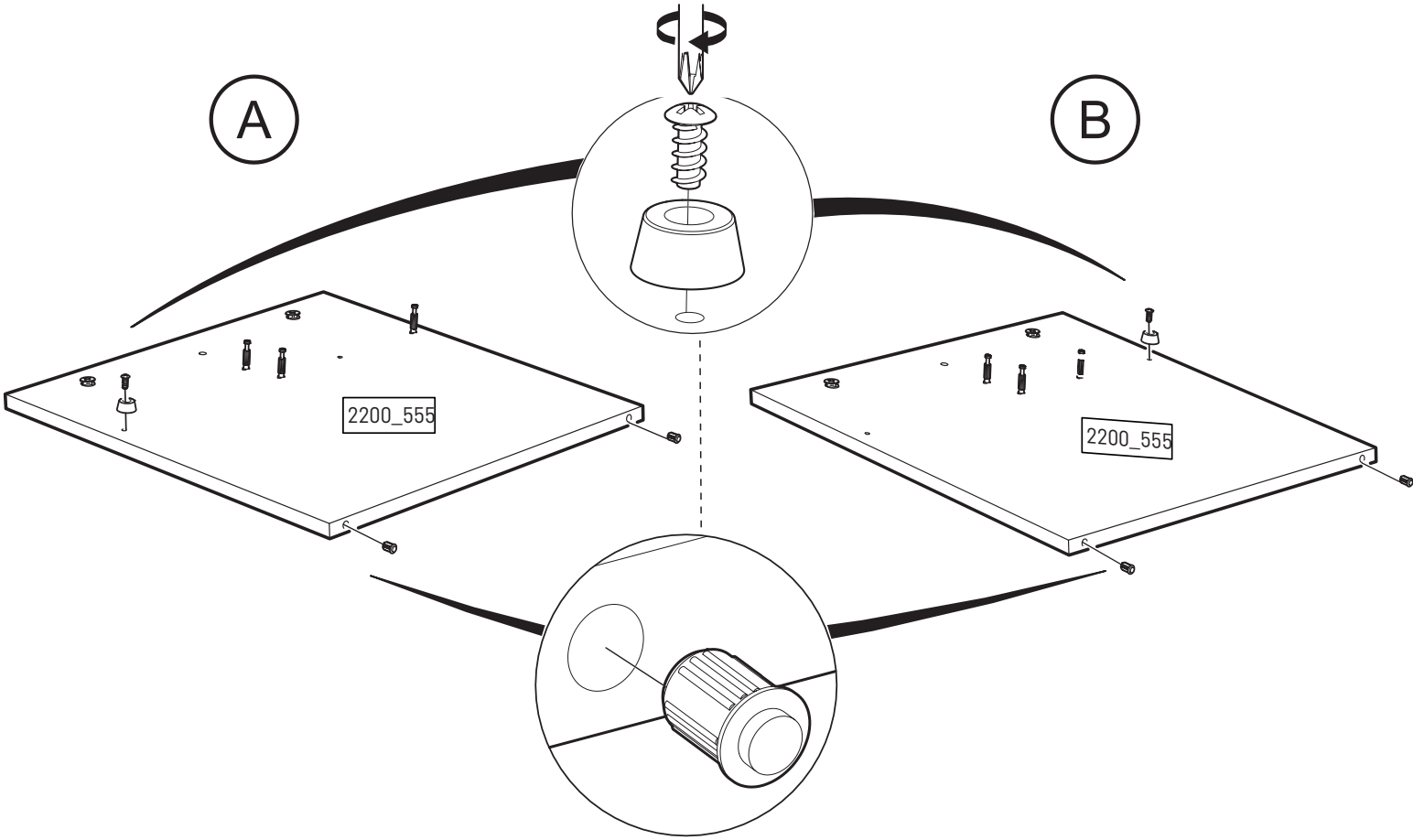
2

3

1005878		x1	1120069		x1	1112268		x2
---------	--	----	---------	--	----	---------	--	----

A

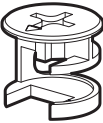
B

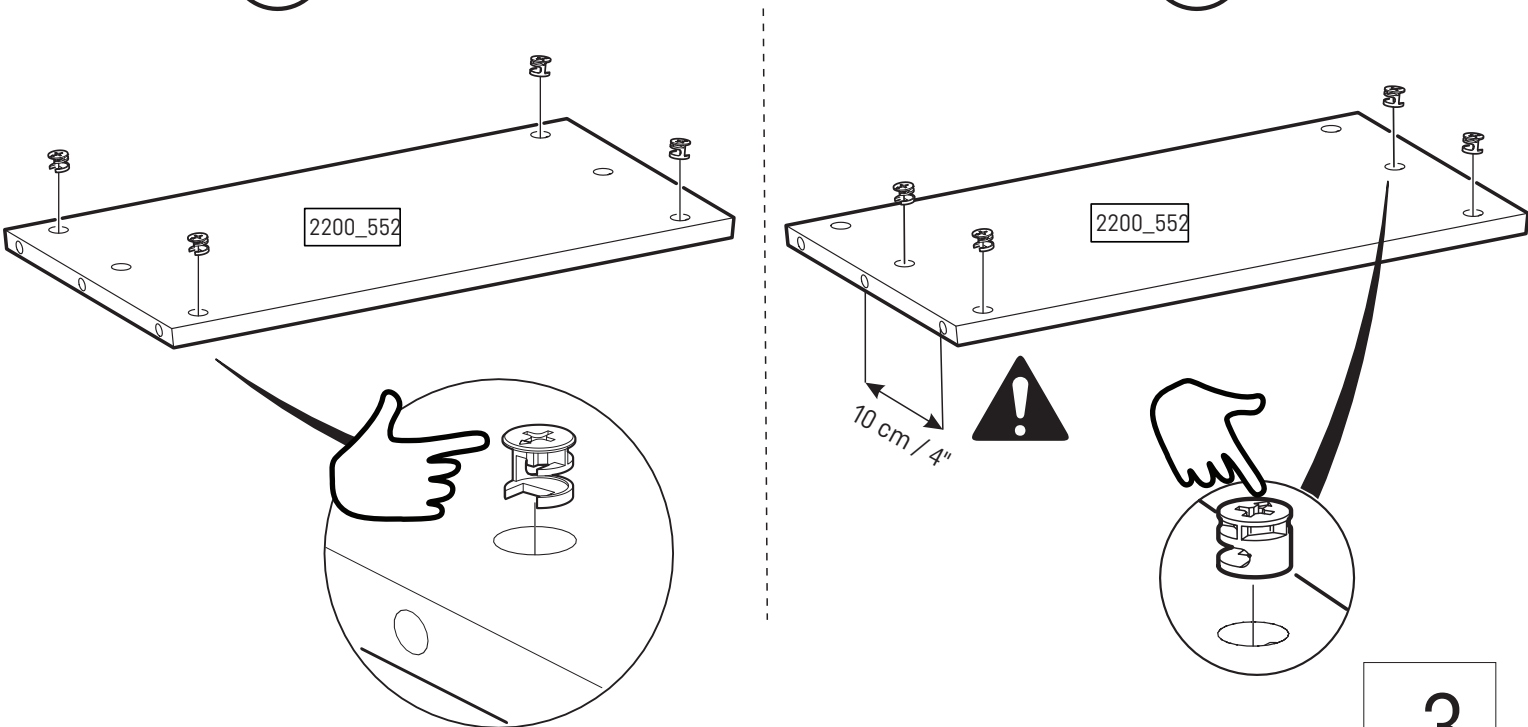


4

A

B

1005367		x4
---------	---	----



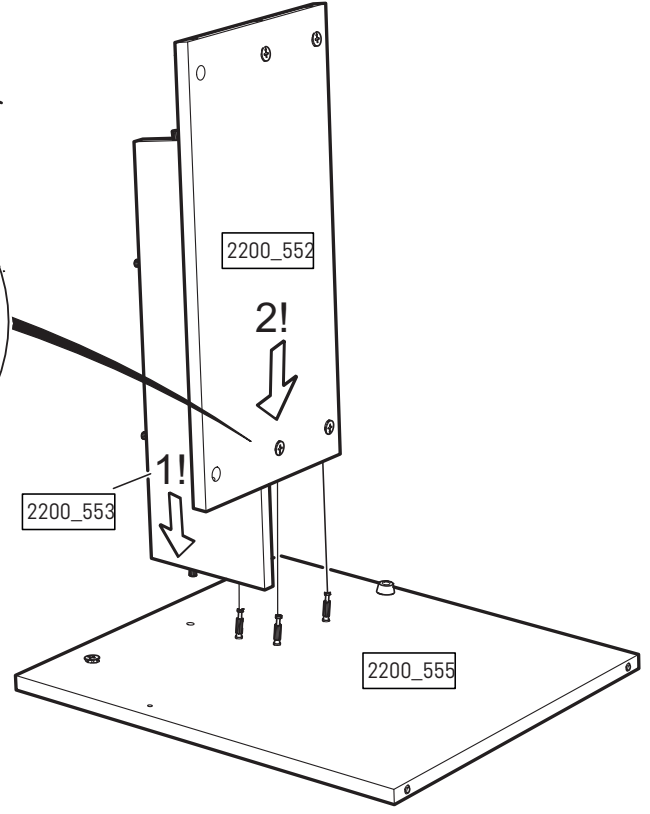
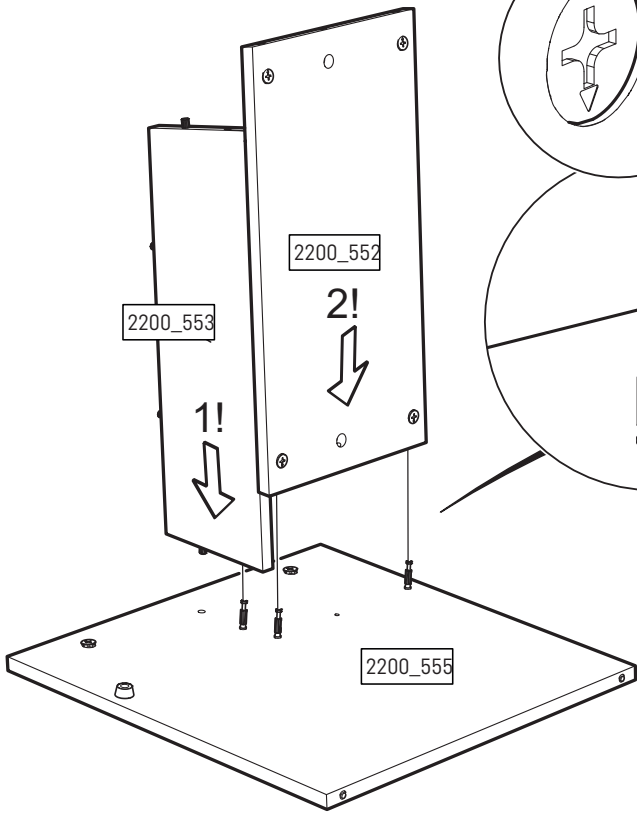
3

5

A

B

x 3



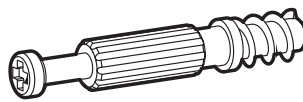
6

1005367

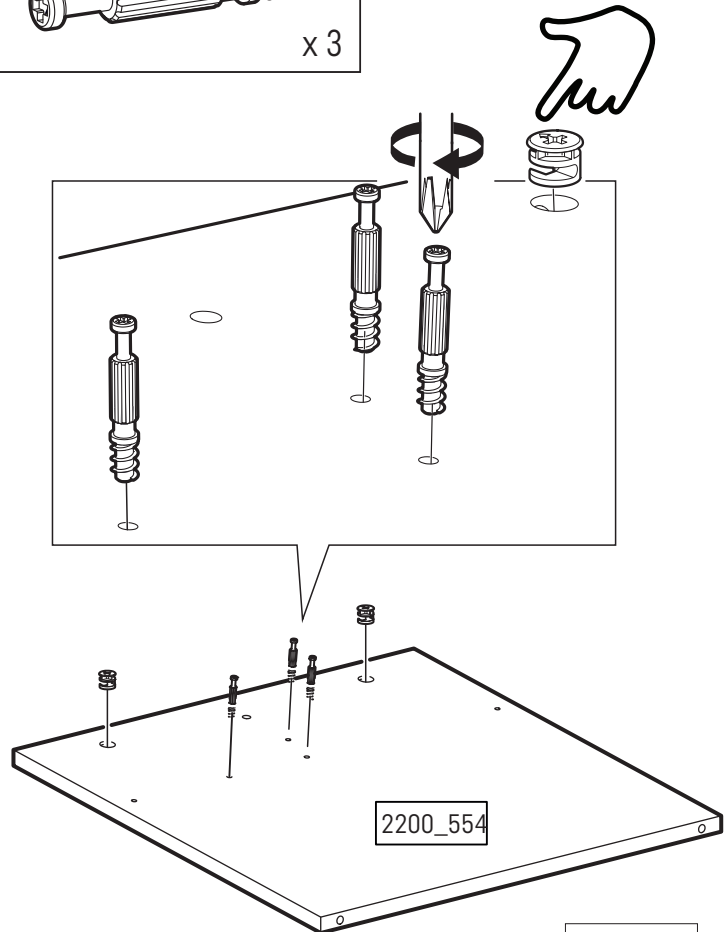
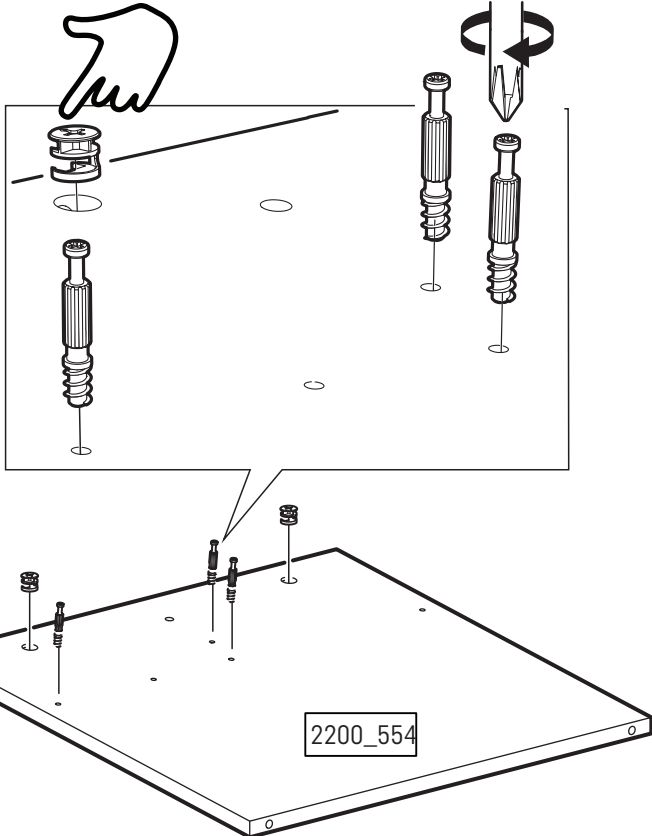


x 2

1006091

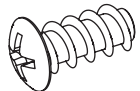

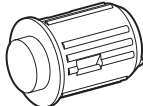


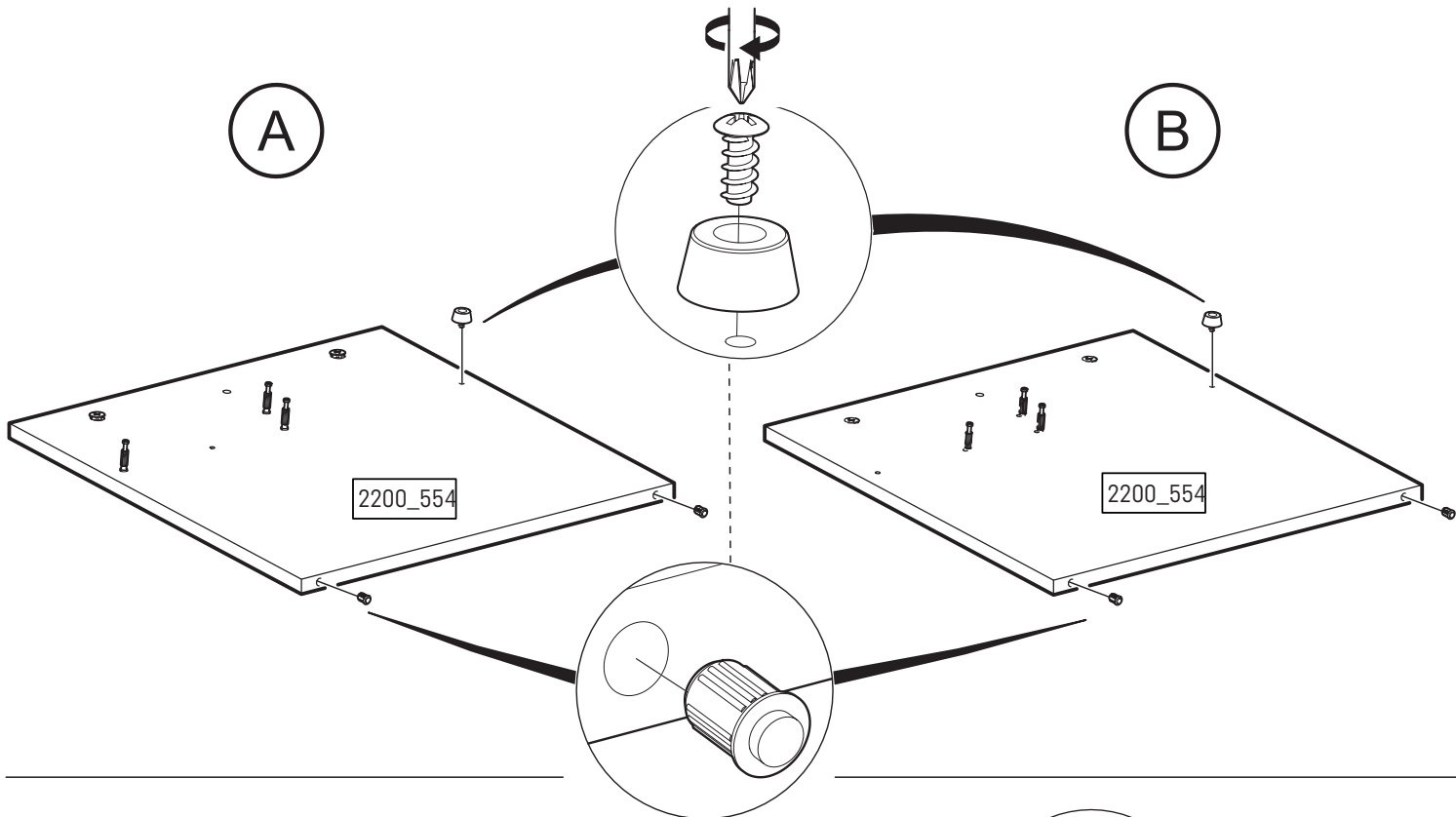
x 3



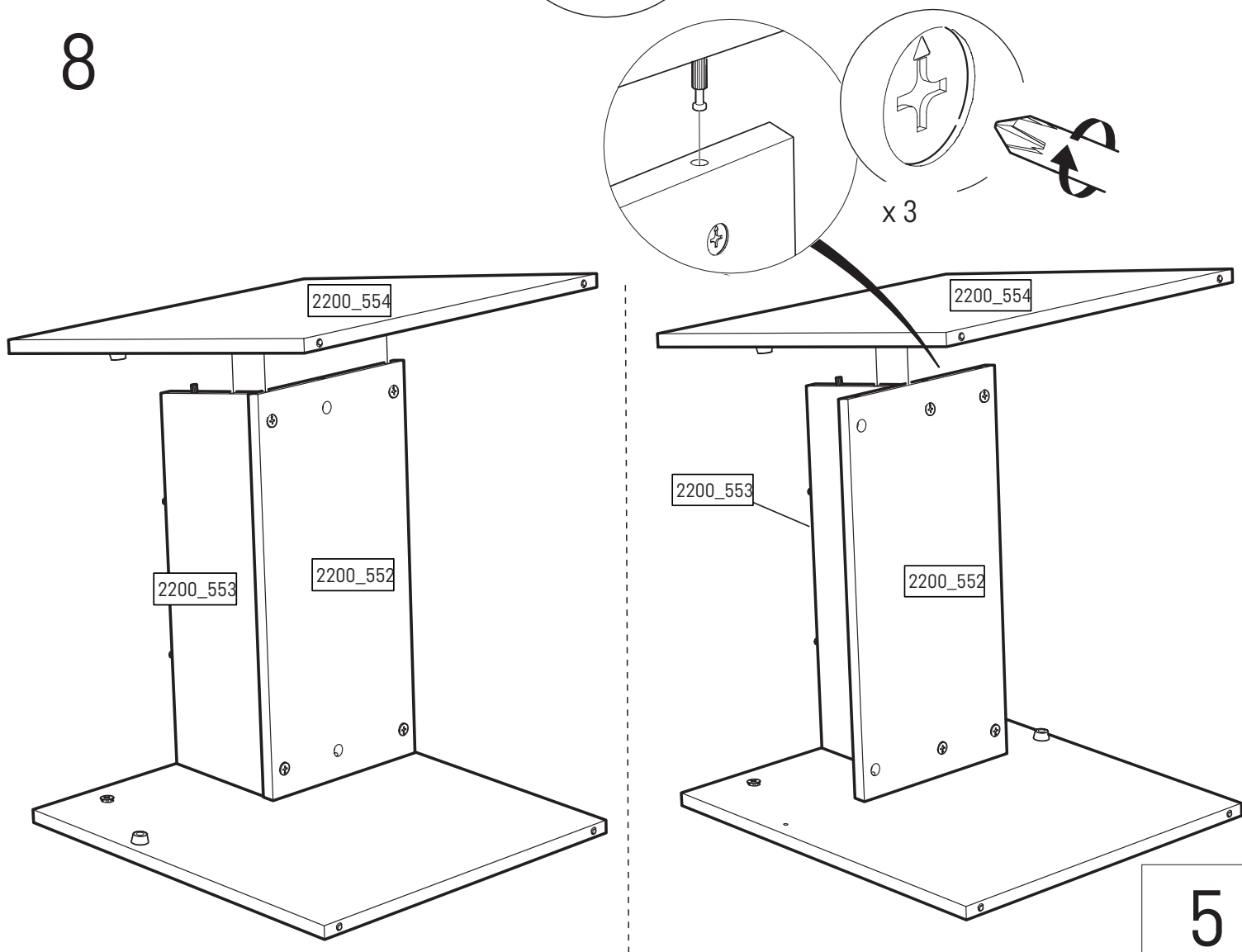
4

7

1005878		x1	1120069		x1	1112268		x2
---------	---	----	---------	--	----	---------	--	----



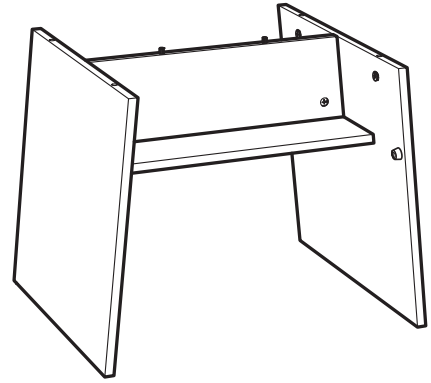
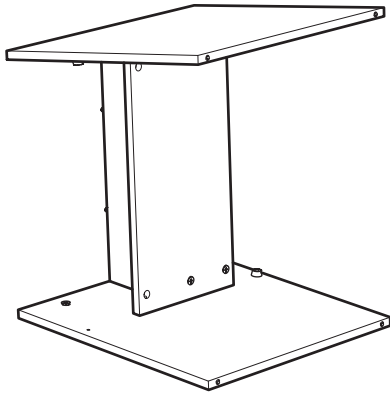
8



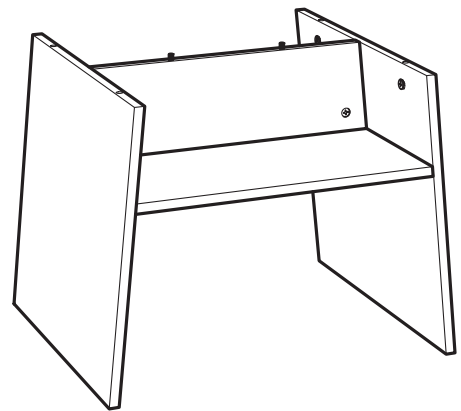
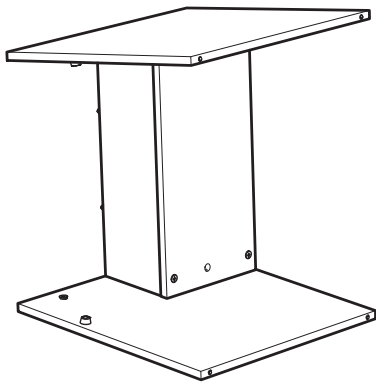
5

i

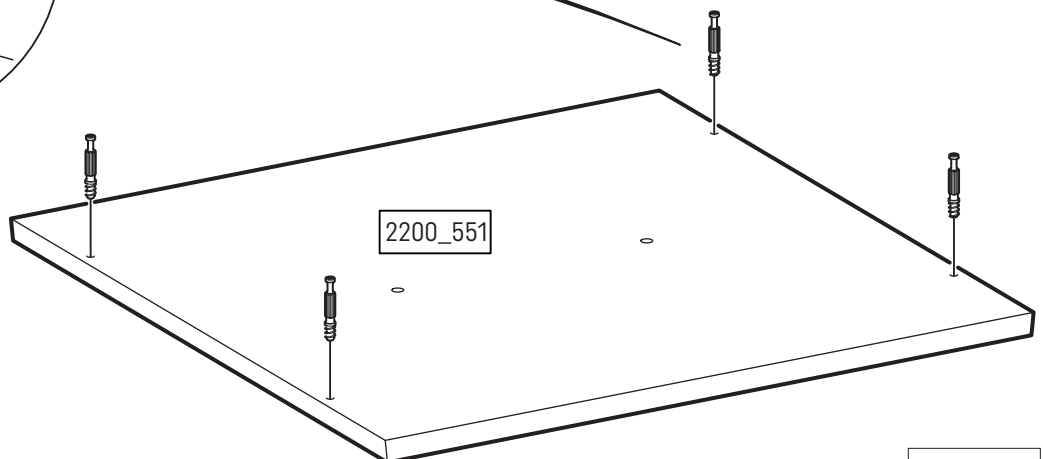
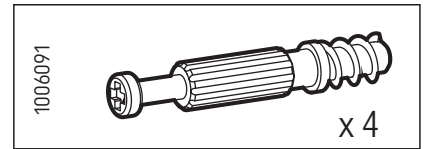
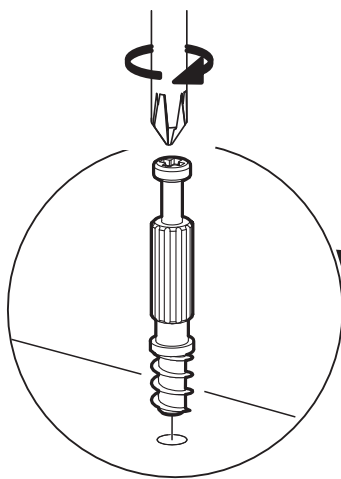
A



B



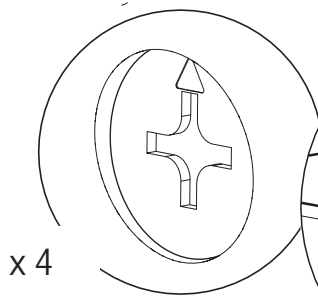
9



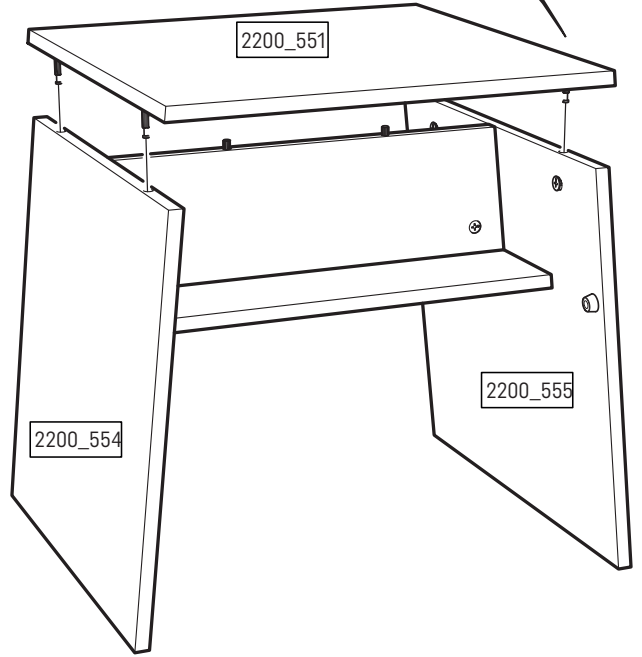
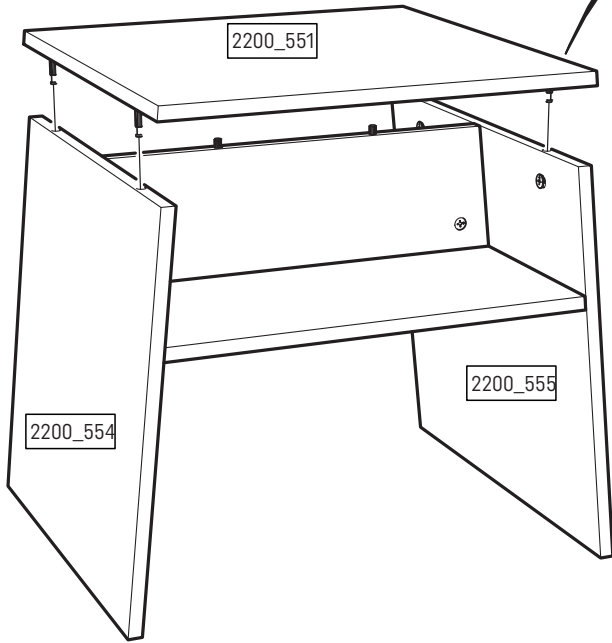
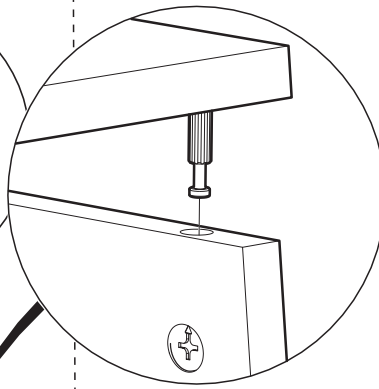
6

10

(A)



(B)



(i)

max 2 !

